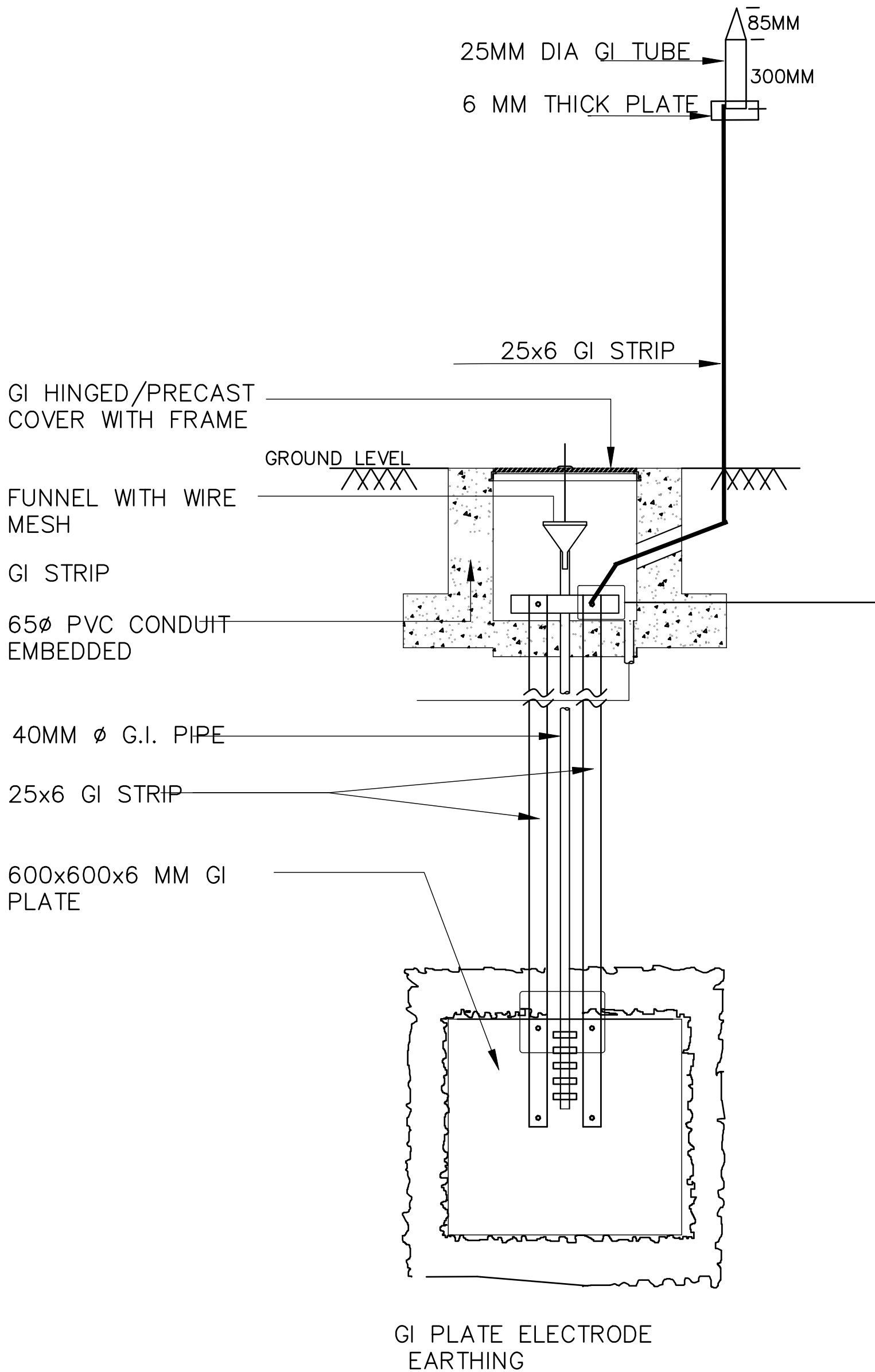


Name of the Project:NIRM OFFICE Building at GSI Campus Bangalore

Clarification seeked from agencies

	AS PER ORIGINAL TENDER	CORRIGENDUM-1
Item no	Description	
	PART VII : CCTV	
2	Supply installation testing and commissioning of IP Based HD NVR for connecting the above mentioned HD IP cameras, with suitable HDD, and along with required accessories.Including the cost of all materials, all lead and lift, loading and unloading, transportation, if any other incidental charges at all level complete all as per specification and as directed by Engineer-in-charge.	Supply installation testing and commissioning of IP Based HD NVR for connecting the above mentioned HD IP cameras, with suitable HDD, and along with required accessories.Including the cost of all materials, all lead and lift, loading and unloading, transportation, if any other incidental charges at all level complete all as per specification and as directed by Engineer-in-charge. camera : 4MP-honeywell make model no :H3W4GR1 or equivalent
	PART IX- EARTHING	
5	Providing and fixing of lightning conductor finial, made of 25 mm dia 300 mm long, G.I. tube, having single prong at top, with 85 mm dia 6 mm thick G.I. base plate Including the cost of all materials, all lead and lift, loading and unloading, transportation, if any other incidental charges at all level complete all as per specification and as directed by Engineer-in-charge.	refer attached details for drawings with specification
	GENERAL POINTS :	
	Total Demand load considred for first floor is 25KW	



north point



CLIENT :
NIRM – BENGALURU

CONSULTANT
Vista ...
Architectural Solutions,
42/3-3, 8TH Cross, K.L.Layana, Bangalore-560078,
Mob: 9448124472, Ph-96660072,
Email : vista_arch@yahoo.co.in, arv141@gmail.com

job title
NIRM OFFICE BUILDING, AT
G S I CAMPUS, KUMARASWAMY
LAYOUT , BENGALURU,
KARNATAKA

SHEET TITLE: GOOD FOR CONSTRUCTION

LIGHTING ARRESTOR DRAWING

job no.	200030/NIRM/ OFFICE	drg. no.
date	17 MAY 2021	15
dealt	VK	
scale	NTS	